

- C USP TOP MOUNT HANGER #HBPH35118
- C2 USP FACE MOUNT HANGER #HD412
- 11 2X10 LEDGER, FASTEN TO EACH WALL STUD WITH (2) ROWS OF 16d COMMON, SET ROWS 2" FROM EDGES.

- B1 INSTALL END WALL BLOCKING WITH SAME DEPTH OF I-JOIST MATERIAL WITHIN (2) JOIST BAYS @ 24" MAX.
- B2 INSTALL X-BRIDGING AT MAX. 8'-0" SPACING SEE WOOD FRAMING SPECS
- S1 1.540# STRAP-USE SIMPSON MSTC 28 WITH 8-16d SINKER NAILS AT EACH END (0.148"DIA. X 3-14" LONG) ALTERNATELY USE PAIR OF SIMPSON DTT2Z HOLDDOWN WITH 1/2" DIA. THREADED ROD AND (8) 1/4"x2-1/2" SDS SCREWS AT EACH STUD
- S2 3.075# HOLDDOWN-USE SIMPSON HDU2-SDS 2.5 WITH 5/8" ANCHOR ROD, 6 SDS SCREWS AT EACH POST (MIN. DOUBL STUD POST)
- S3 (2) 1.540# STRAP-USE SIMPSON MSTC 28 WITH 8-16d SINKER NAILS AT EACH END (0.148"DIA. X 3-14" LONG).
- S4 4.365# HOLDDOWN-USE SIMPSON HDU4-SDS 2.5 WITH 5/8" THREADED ROD, (10) 1/4"x2-1/2" SDS SCREWS AT EACH POST (MIN. DOUBL STUD POST)
- F HEADERS TO BE THREE-1-3/4 X 11-7/8 VL FLUSH WITH FLOOR JOISTS. "DUMMY" HEADERS AT ACTUAL R.O. HEIGHTS-OR 3-2X8 DROPPED HEADERS UNLESS OTHERWISE NOTED

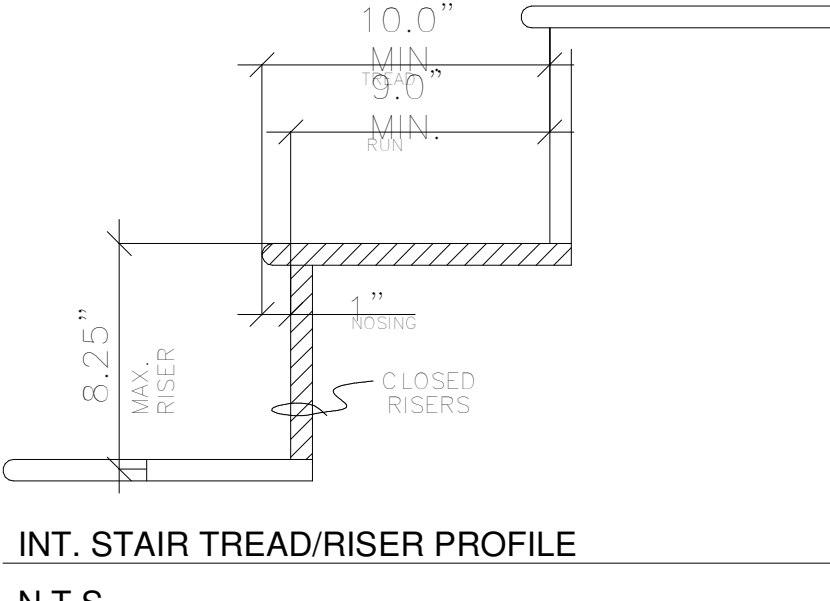
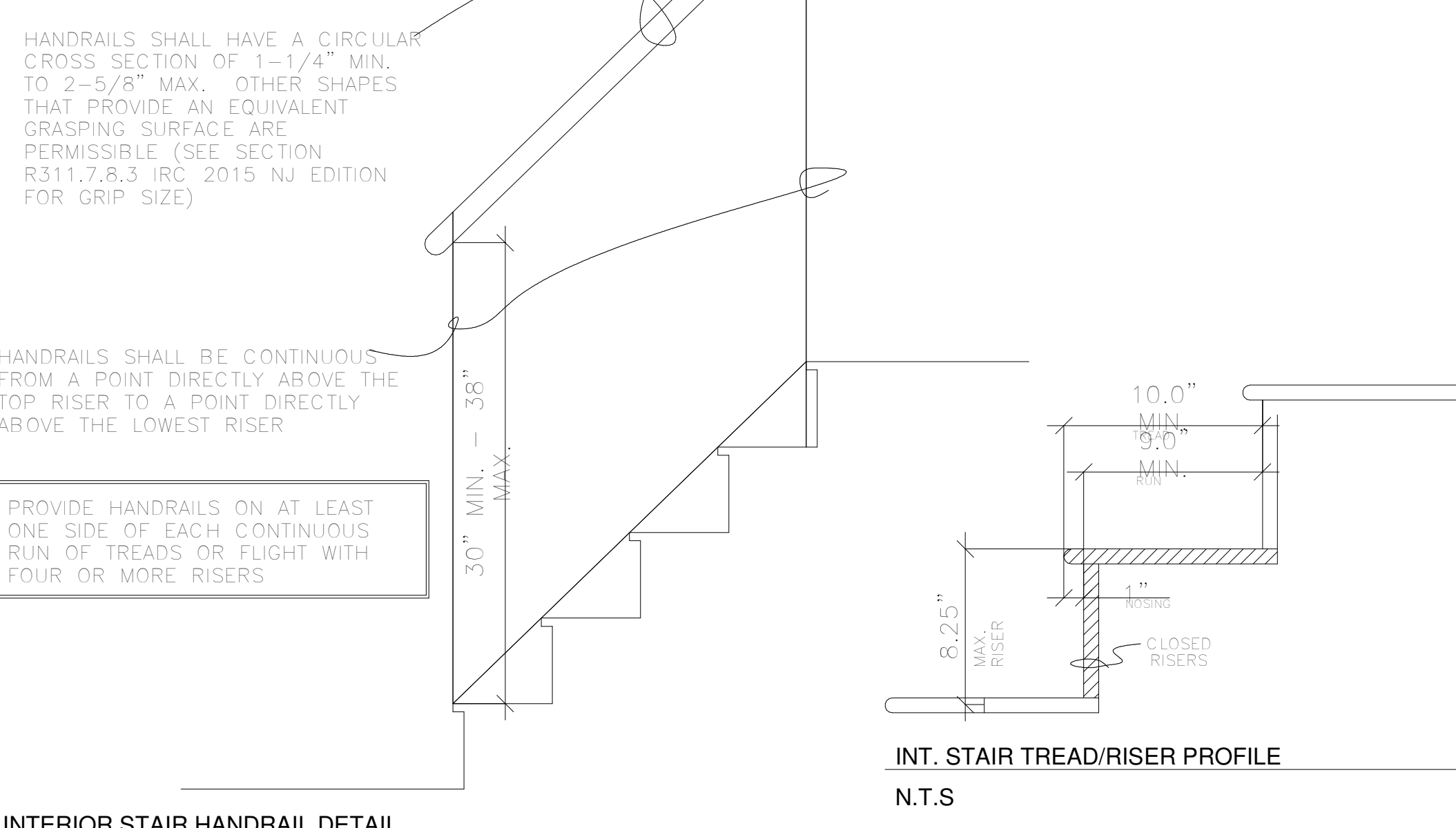
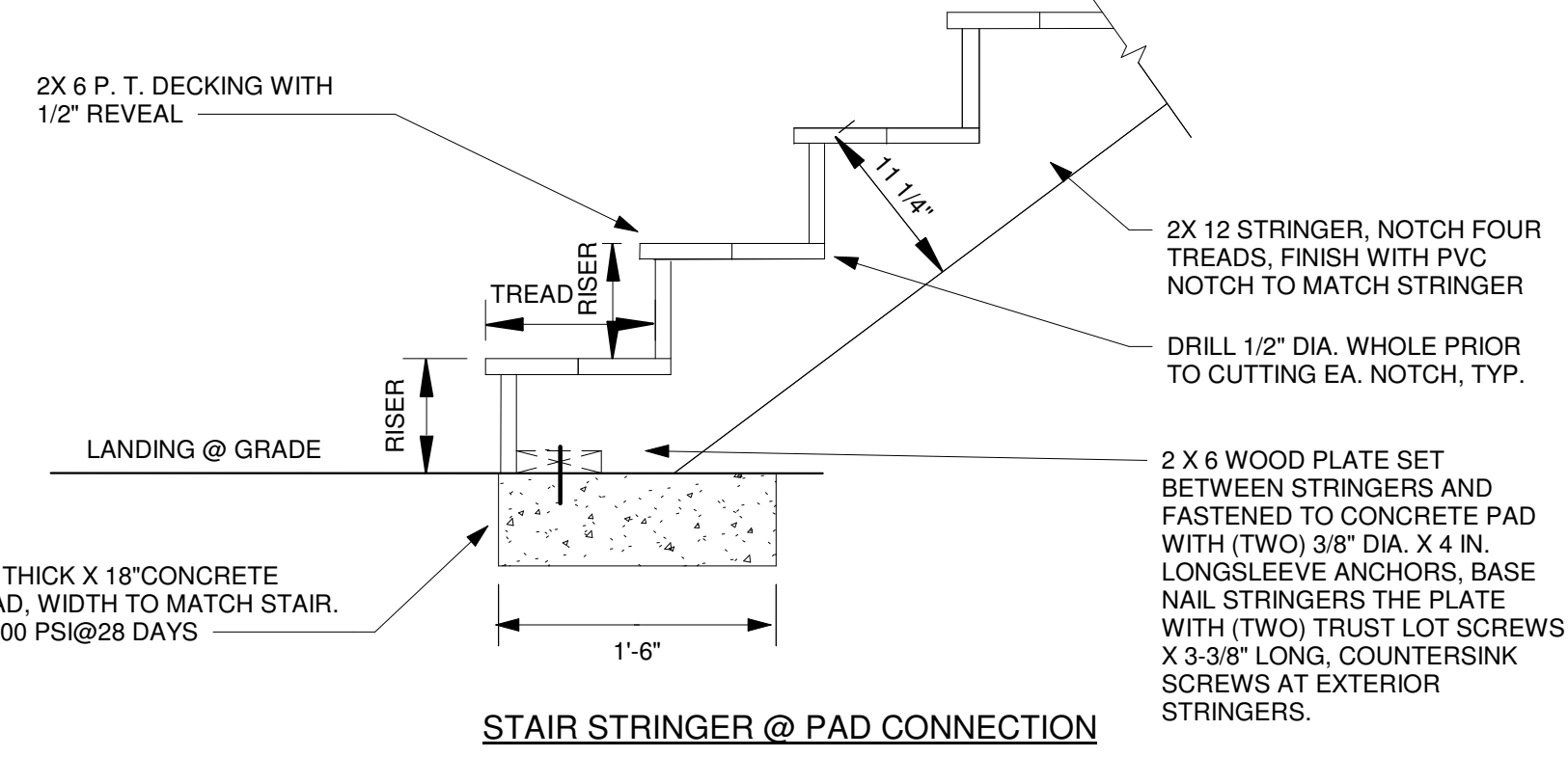
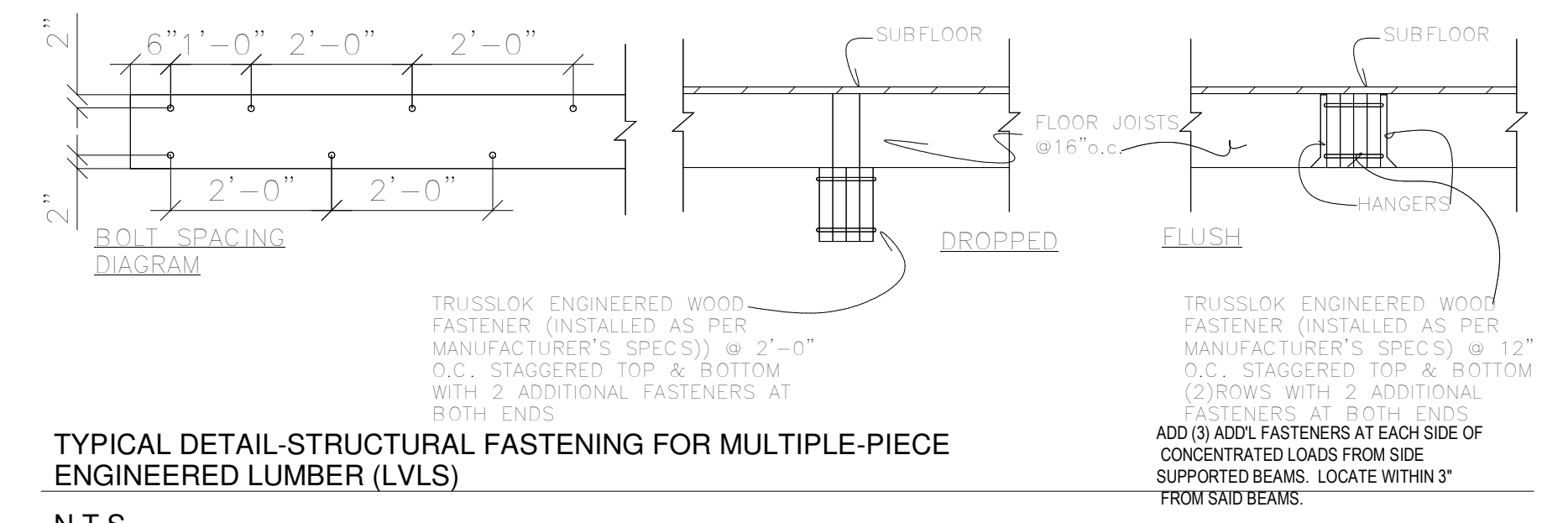
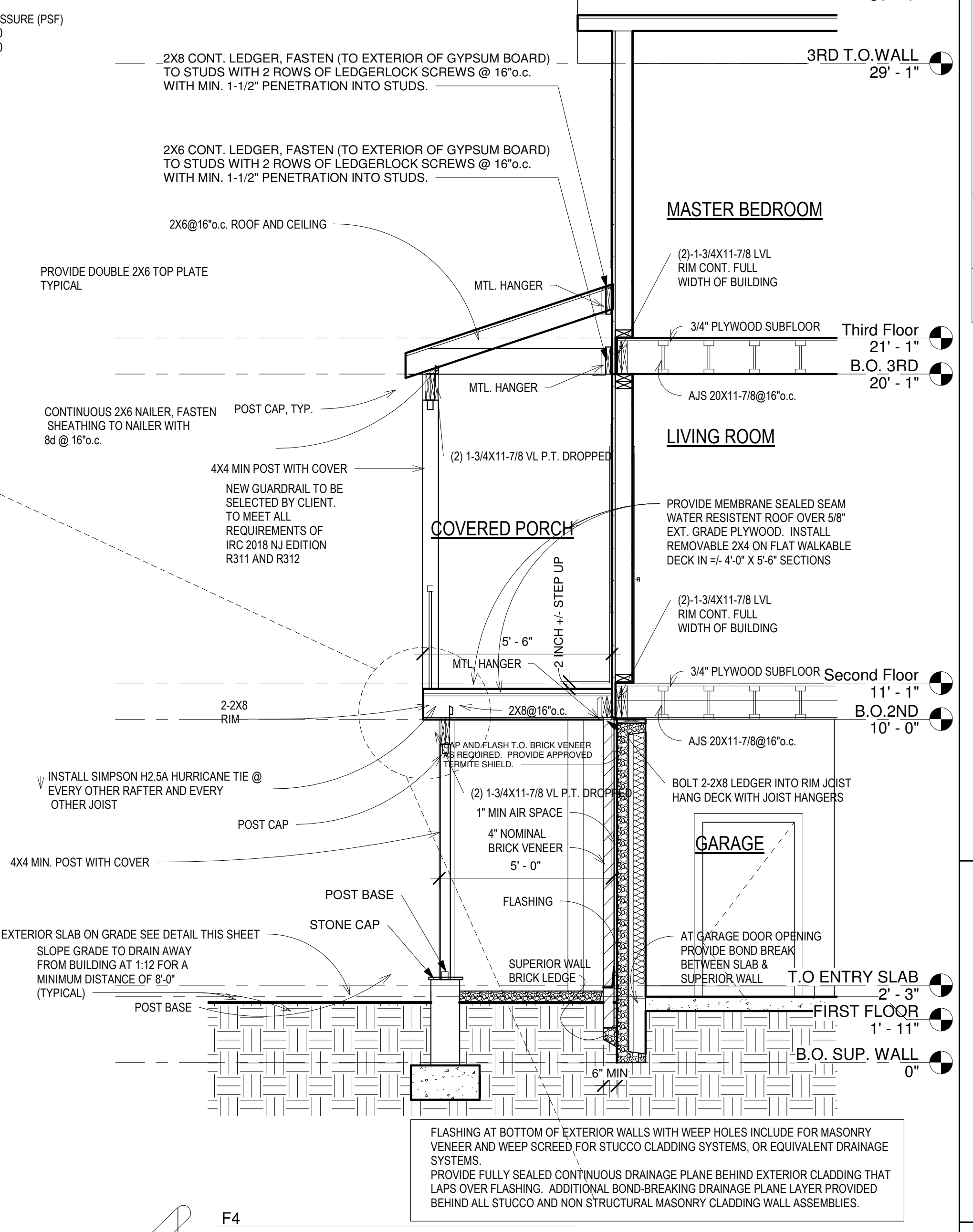
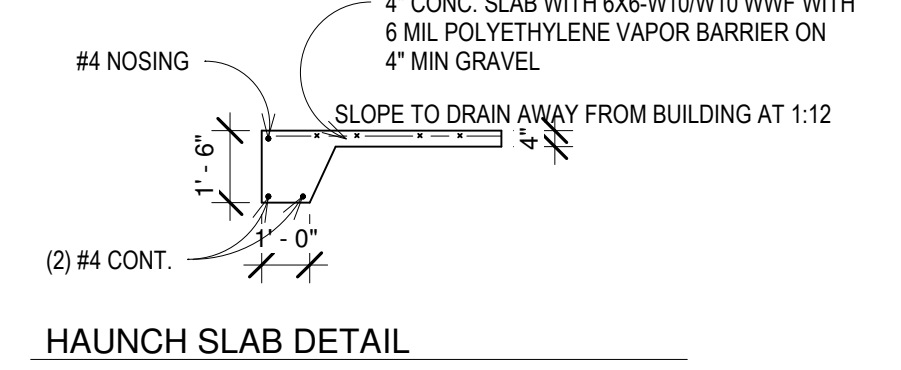
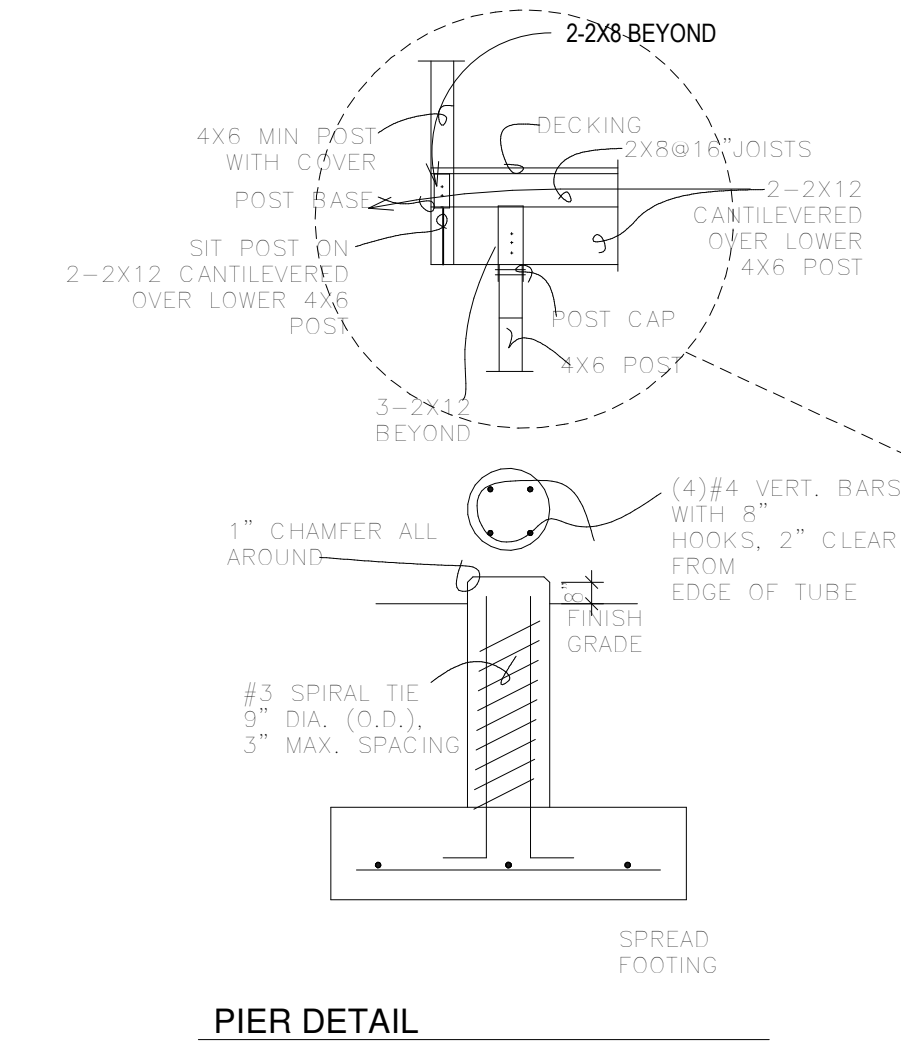
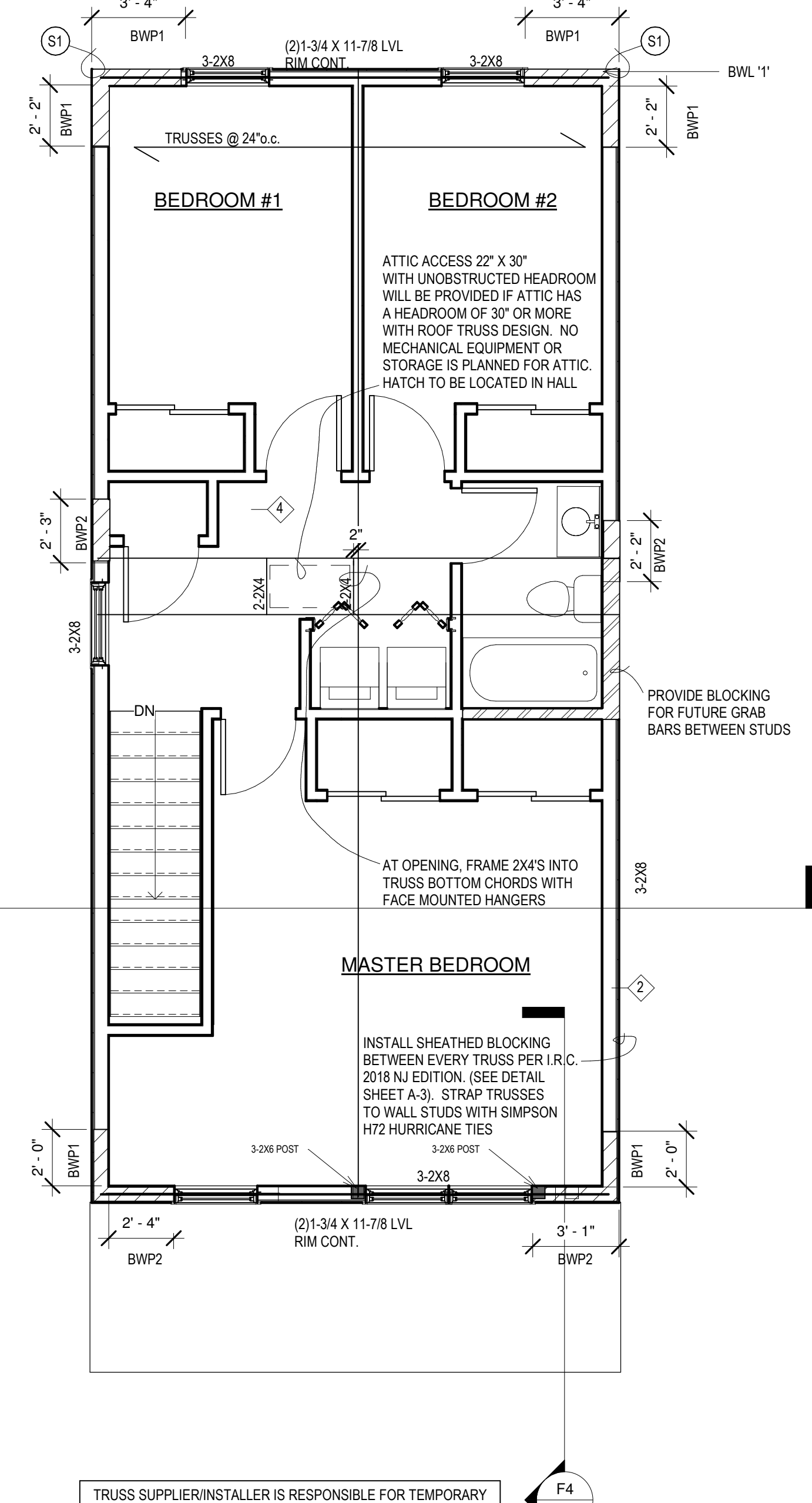
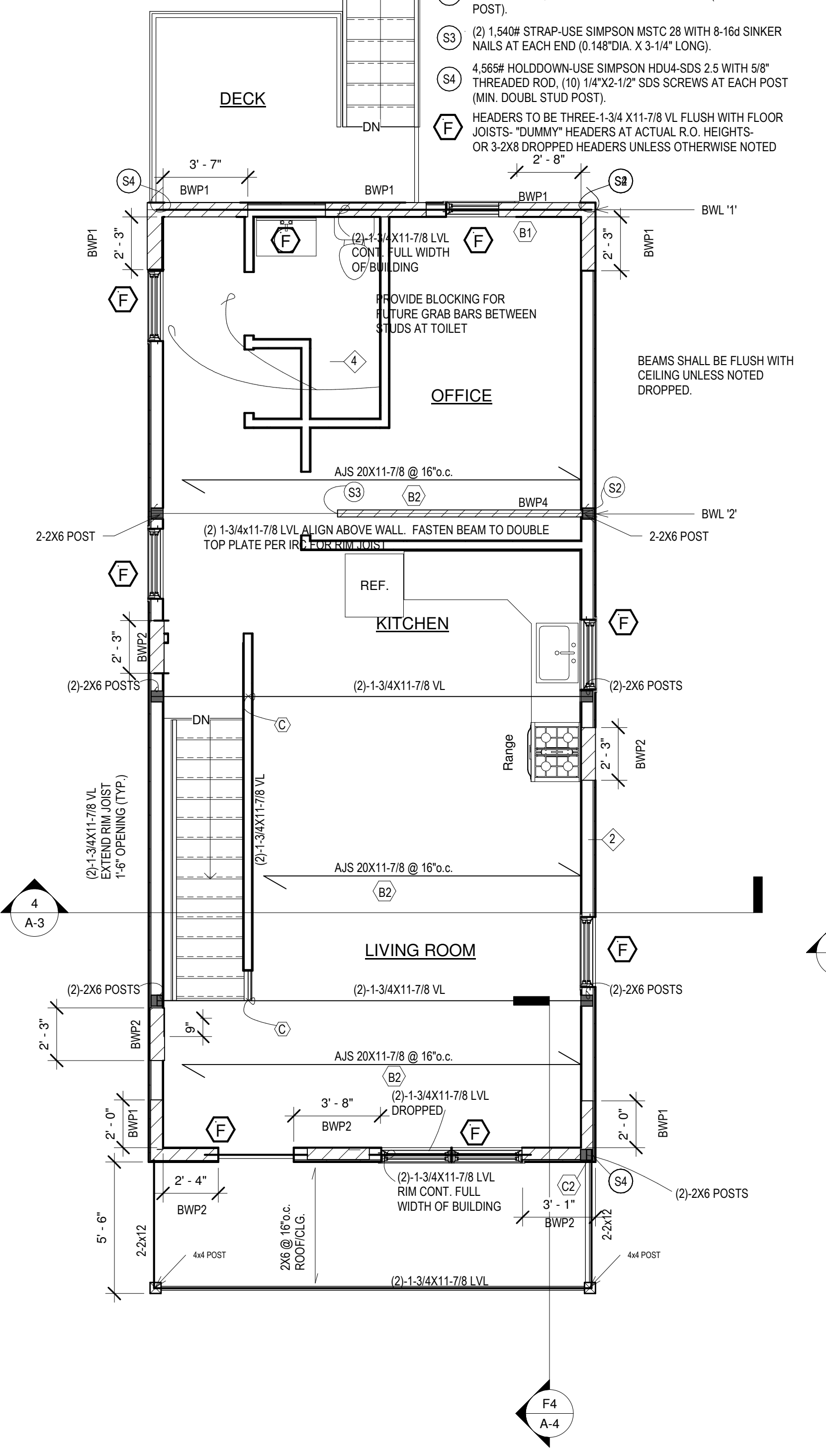
TRUSSES TO BE DESIGNED BY MANUFACTURER. DESIGN TRUSSES FOR MIN. ROOF LOADS OF:  
 ROOF DL = 15#  
 CLG. DL = 10#, 20# AT CLEAR HT. > 42"  
 ROOF LL = 20#, 25# UNBAL SNOW  
 CLG. LL = 20#  
 PROVIDE SIGNED AND SEALED SHOP DRAWINGS AND CALCULATIONS FOR APPROVAL BEFORE PROCEEDING WITH WORK

**WIND LOAD CRITERIA COMPONENTS AND CLADDING**

FOR GABLE ROOF 7-0-27  
 V=115 MPH  
 MEAN ROOF HEIGHT = 33 FT +/-  
 EXPOSURE B  
 EFFECTIVE AREA=10SF +/- FROM I.R.C. TABLE R301.2(2)

ROOF ZONE	WIND PRESSURE (PSF)
1	10.0-13.0
2	10.0-22.0
3	10.0-33.0
WALL ZONE	WIND PRESSURE (PSF)
4	14.3-15.0
5	14.3-19.0

ALIGN RAFTER ABOVE WALL AND FASTEN SHEATHING PER EDGE SPACING REQUIREMENTS (8d NAILS @ MIN. 6" UNLESS NOTED OTHERWISE IN WOOD NOTES), TYP. FASTEN RAFTER/RIM TO WALL PER 2018 I.R.C.



PROJECT:	HABITAT RESIDENCE
NAME:	45 AUBURN STREET
ADDRESS:	PATERSON, NEW JERSEY
CITY:	
CLIENT:	HABITAT FOR HUMANITY
NAME:	146 NORTH FIRST STREET
ADDRESS:	PATERSON, NEW JERSEY
CITY:	
ISSUE DATE:	11/23/19
SCALE:	As indicated
DRAWN BY:	CB
JOB NO.:	22-P107
TITLE:	FRAMING PLANS
SHEET NO.:	A-4
SHEET:	A-4 OF 6

9/20/22 11:48:55 AM

201.689.0742 | r.khasalati@aol.com  
 NJ 21A100906300 | NY 016849-1  
 NCARB 31, 758

RELEASED FOR PERMITS  
 A 9/20/22  
 Mark Date Description

CATHY F. BENSON, AIA.  
 1156 EAST RIDGWOOD AVE,  
 RIDGWOOD, NJ 0742